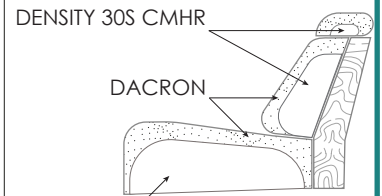




MEDITA



DENSITY 30S CMHR

DACRON

51

50

DEPTH + SEAT HEIGHT

Model 5335 SEVILLE

Carcass: spruce, chipboard and multilayer panels.

Springing: polypropylene and natural elastic belts on back and rings on seats.

Padding: stress-resistant polyurethane foam available in different densities.

Seat cushions: stress-resistant polyurethane density 35S CMHR covered with Dacron hollow soft polyester fibre.

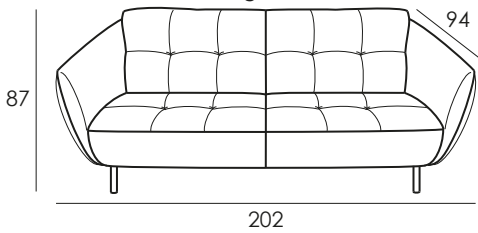
Back cushions: stress-resistant polyurethane density 30S CMHR covered with Dacron hollow soft polyester fibre.

Arms: stress-resistant polyurethane density 30S CMHR covered with Dacron hollow soft polyester fibre.

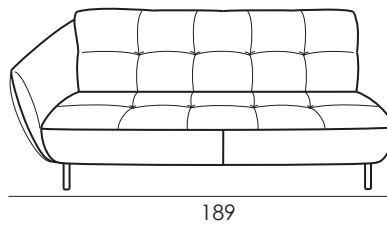
Feet: h 18 cm, Chrome or Titanium.

SEAT WIDTH: 84 CM

Cod. 64
Large sofa



Cod. 18sx/19dx
Large sofa sectional

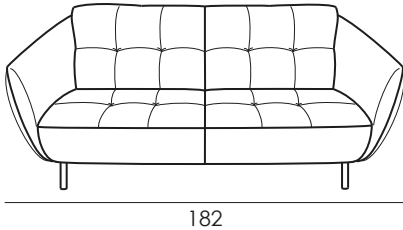


CHROME

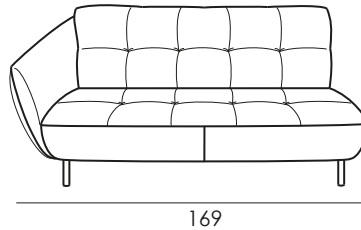


SEAT WIDTH: 74 CM

Cod. 09
Sofa



Cod. 66sx/67dx
Sofa sectional

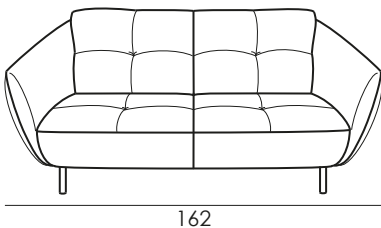


TITANIUM (BLACK)

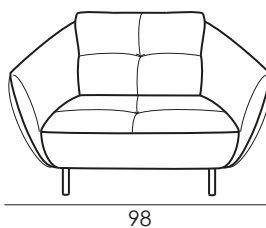


SEAT WIDTH: 64 CM

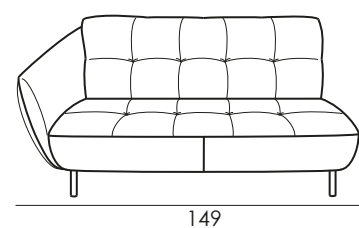
Cod. 05
Loveseat



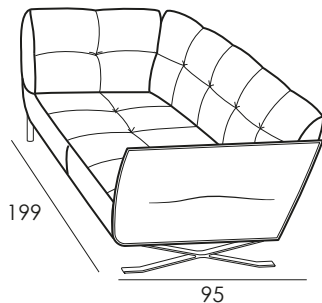
Cod. 03
Armchair



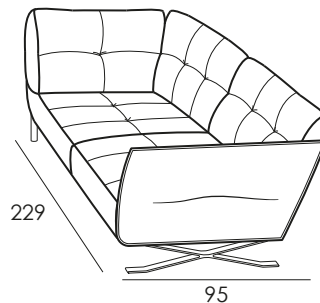
Cod. 16sx/17dx
Loveseat sectional



Cod. 234sx/235dx
Corner and armchair sectional



Cod. 334sx/335dx
Corner and large armchair sectional



Cod. 14
Pouf rectangular

